



Industrias GALARZA, S. A.

Pol. Ind. Bidosola, Pab. D-4 - E48142-Artea - SPAIN

Tel. + 34 - 94 - 447 18 12

Fax + 34 - 94 - 476 42 76

Web : www.industriasgalarza.com

CATALOGUE

ATEX Festoon Systems

Ref. 2307Ex

Ref. 2310Ex

Ref. 2336Ex

Ref. 2347Ex



Industrias GALARZA, S. A.

Pol. Ind. Bidosola, Pab. D-4 - E48142-Artea - SPAIN

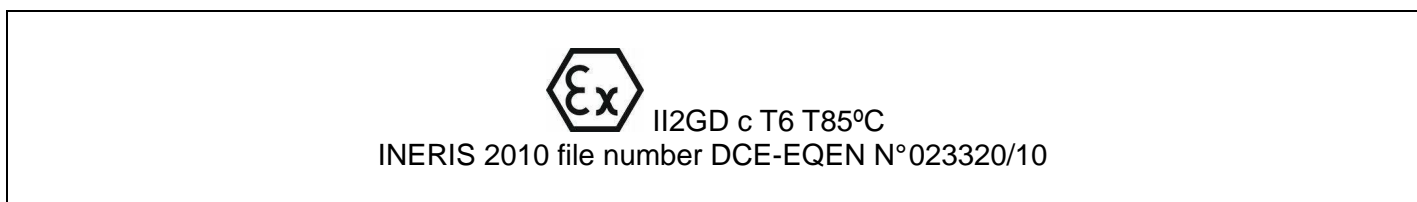
Tel. + 34 - 94 - 447 18 12

Fax + 34 - 94 - 476 42 76


Web : www.industriasgalarza.com

INTERPRETATION OF MARKS

The ATEX marks on the equipment, according to the requirements of Directive 94/9/EC, contains the following information :



Where :

-  is the logo which identifies the certified equipment to be used in risk sites with explosive atmospheres.
- The Group II is the so-called for appliances aimed at all sectors (excluding the mining sector)
- The category 2 represents the equipment designed to work on the operation parameters set by the manufacturer to ensure a high level of protection.
- Acronyms "G" and "D" represent that the equipment is designed for be used both in explosive atmospheres caused by gas (G) to dust (D).
- Acronym "c" represents protect mode used for the design of the device, according to standard UNE-EN 13463-5 not electric equipments for potentially explosive atmospheres. Part 5: Constructive security protection "c".
- The maximum surface temperature of the device, i.e. the temperature which shall not exceed any part of the team in the foreseeable failure conditions is based on the class temperature for gases T6 and for use in powder, named T85 °C.

The second row of the markup refers to the number of technical documents of the equipment placed in custody by the notified body (INERIS) file.

This device is valid for use on sites with risk of explosive atmospheres, especially for areas classified as 1 and 2 (gas) and 21 and 22 (powder).



Industrias GALARZA, S. A.

Pol. Ind. Bidosola, Pab. D-4 - E48142-Artea - SPAIN

Tel. + 34 - 94 - 447 18 12

Fax + 34 - 94 - 476 42 76

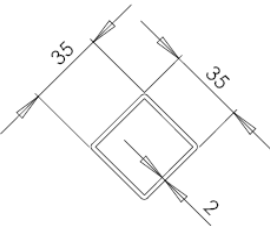
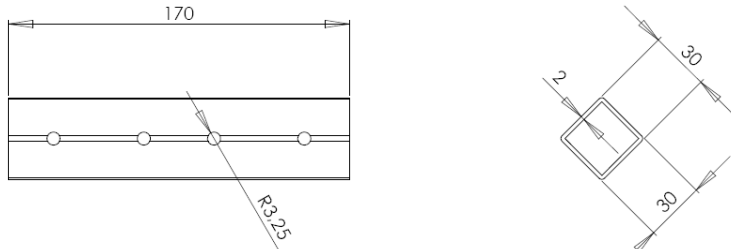

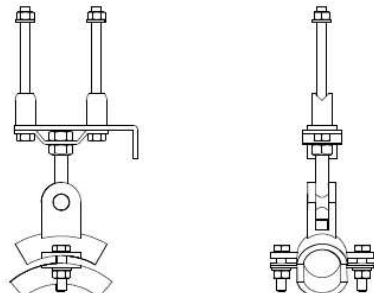
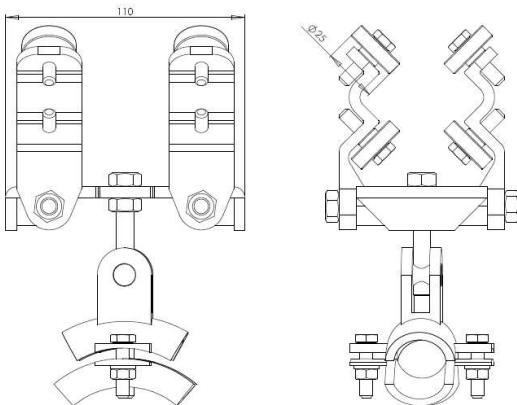
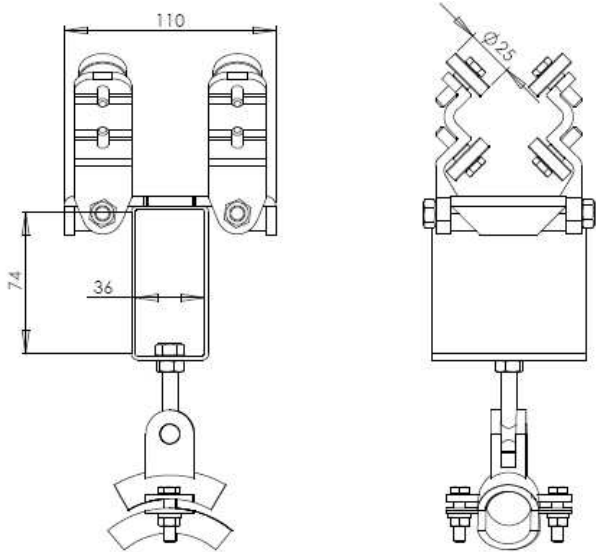
Web : www.industriasgalarza.com

SERIE 2307Ex

Available for installations with curved tracks.

Load per trolley : 10Kg.

Available for round cables : cable holder "+A" for $\varnothing 8-15\text{mm}$
cable holder "+B" for $\varnothing 16-24\text{mm}$
cable holder "+C" for $\varnothing 25-35\text{mm}$

<p>Profile ref. 2307-1-Inox</p> 	<p>Joint ref. 2307-3-Inox</p> 
<p>Support ref. 2307-4-Inox</p> 	<p>End clamp ref. 2307(A)/B/C-2-Ex</p> 
<p>Cable trolley ref. 2307(AI)/A/B/C-5-Ex</p> 	<p>Towing trolley ref. 2307(AI)/A/B/C-6-Ex</p> 



Industrias GALARZA, S. A.

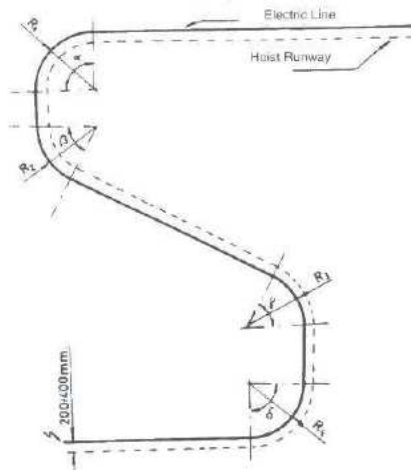
Pol. Ind. Bidosola, Pab. D-4 - E48142-Artea - SPAIN

Tel. + 34 - 94 - 447 18 12

Fax + 34 - 94 - 476 42 76

Web : www.industriasgalarza.com

SCOPE OF DELIVERY.



- a) **Profile Ref. 2307-1-Inox**
 - Made of stainless steel .

- b) **Joint Ref. 2307-3-Inox**
 - Body made of stainless steel .
 - Bolts, nuts and washers made of stainless steel.

- c) **Support Ref. 2307-4-Inox**
 - Ferrules made of stainless steel .
 - Bolts, nuts and washers made of stainless steel.

- d) **End clamp Ref. 2307(AI)+A/B/C-2-Ex**
 - Body made of brass.
 - Ferrules made of stainless steel.
 - Cable holder made of aluminium .
 - Bolts, nuts and washers made of stainless steel.

- e) **Cable trolley Ref. 2307(AI)+A/B/C-5-Ex**
 - Body made of aluminium.
 - Cable holder made of aluminium .
 - Ball bearings \varnothing 25mm. made of stainless steel .
 - Bolts, nuts and washers made of stainless steel.

- f) **Towing trolley Ref. 2307(AI)+A/B/C-6-Ex**
 - Body made of aluminium.
 - Towing attachment made of brass/copper.
 - Cable holder made of aluminium .
 - Ball bearings \varnothing 25mm. made of stainless steel .
 - Bolts, nuts and washers made of stainless steel.



Industrias GALARZA, S. A.

Pol. Ind. Bidosola, Pab. D-4 - E48142-Artea - SPAIN

Tel. + 34 - 94 - 447 18 12

Fax + 34 - 94 - 476 42 76

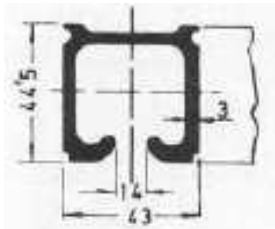
Web : www.industriaspalarza.com

SERIE 2310Ex

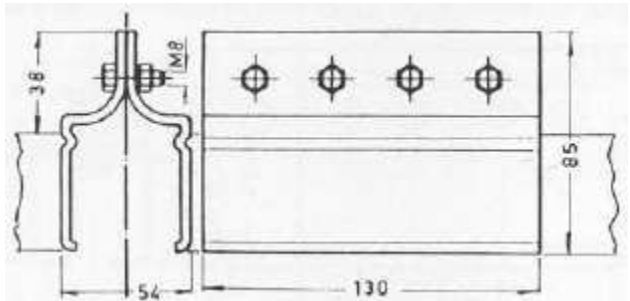
Load per trolley : 10Kg.

Maximum bundle dimension : 80x30mm

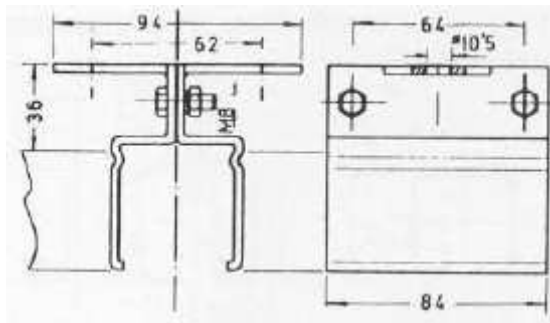
Profile ref. 2310-1



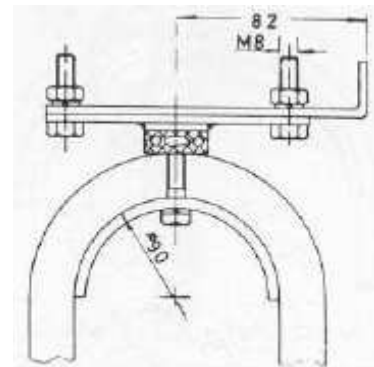
Joint ref. 2310-3-Ex



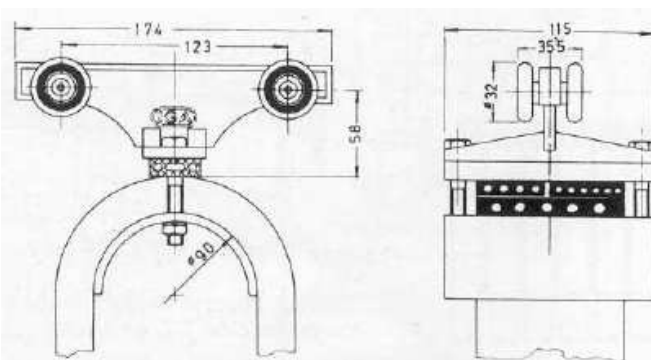
Support ref. 2310-4-Ex



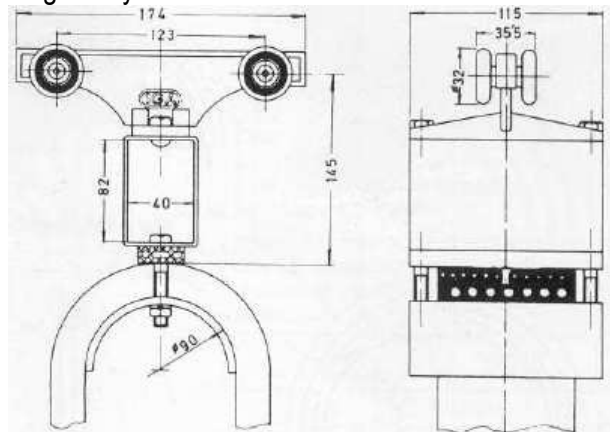
End clamp ref. 2310-2-Ex



Cable trolley ref. 2310-5-Ex



Towing trolley ref. 2310-6-Ex





Industrias GALARZA, S. A.

Pol. Ind. Bidosola, Pab. D-4 - E48142-Artea - SPAIN

Tel. + 34 - 94 - 447 18 12

Fax + 34 - 94 - 476 42 76

Web : www.industriasgalarza.com

SCOPE OF DELIVERY.

a) Profile Ref. 2310-1

- Made of aluminium .

b) Joint Ref. 2310-3-Ex

- Laterals made of brass .

- Bolts, nuts and washers made of stainless steel.

c) Support Ref. 2310-4-Ex

- Laterals made of brass .

- Bolts, nuts and washers made of stainless steel.

d) End clamp Ref. 2310-2-Ex

- Body made of brass.

- Saddle made of aluminium .

- Bolts, nuts and washers made of stainless steel.

e) Cable trolley Ref. 2310-5-Ex

- Body made of aluminium.

- Saddle made of aluminium .

- Ball bearings \varnothing 32mm. made of stainless steel .

- Bolts, nuts and washers made of stainless steel.

f) Towing trolley Ref. 2310-6-Ex

- Body made of aluminium.

- Towing attachment made of brass/copper.

- Saddle made of aluminium .

- Ball bearings \varnothing 32mm. made of stainless steel .

- Bolts, nuts and washers made of stainless steel.



Industrias GALARZA, S. A.

Pol. Ind. Bidosola, Pab. D-4 - E48142-Artea - SPAIN

Tel. + 34 - 94 - 447 18 12

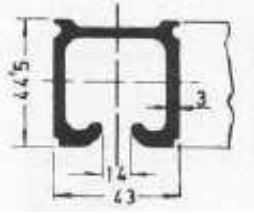
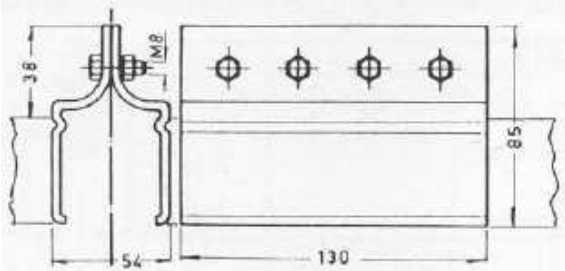
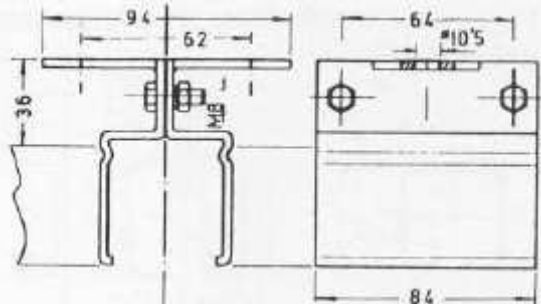
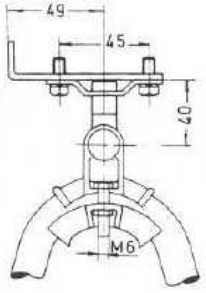
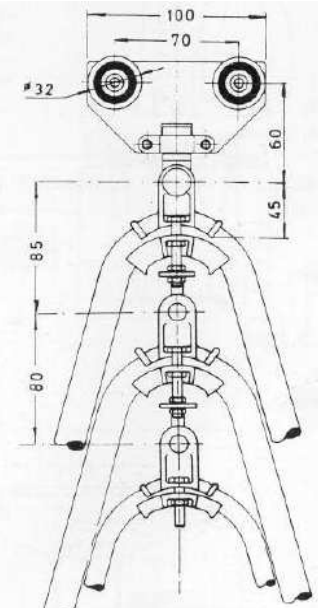
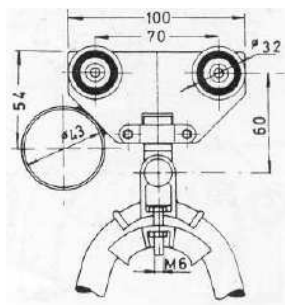
Fax + 34 - 94 - 476 42 76

Web : www.industriasgalarza.com

SERIE 2336Ex

Load per trolley : 10Kg.

Available for round cables : cable holder "+A" for Ø8-15mm
cable holder "+B" for Ø16-24mm
cable holder "+C" for Ø25-35mm

<p>Profile ref. 2310-1</p> 	<p>Joint ref. 2310-3-Ex</p> 
<p>Support ref. 2310-4-Ex</p> 	<p>End clamp ref. 2336+A/B/C-2-Ex</p> 
<p>Cable trolley ref. 2336+A/B/C-5-Ex</p> 	<p>Towing trolley ref. 2336+A/B/C-6-Ex</p> 



Industrias GALARZA, S. A.

Pol. Ind. Bidosola, Pab. D-4 - E48142-Artea - SPAIN

Tel. + 34 - 94 - 447 18 12

Fax + 34 - 94 - 476 42 76

Web : www.industriasgalarza.com

SCOPE OF DELIVERY.

a) Profile Ref. 2310-1

- Made of aluminium .

b) Joint Ref. 2310-3-Ex

- Laterals made of brass .

- Bolts, nuts and washers made of stainless steel.

c) Support Ref. 2310-4-Ex

- Laterals made of brass .

- Bolts, nuts and washers made of stainless steel.

d) End clamp Ref. 2336+A/B/C-2-Ex

- Body made of brass.

- Cable holder made of aluminium .

- Bolts, nuts and washers made of stainless steel.

e) Cable trolley Ref. 2336+A/B/C-5-Ex

- Body made of brass.

- Cable holder made of aluminium .

- Ball bearings \varnothing 32mm. made of stainless steel .

- Bolts, nuts and washers made of stainless steel.

f) Towing trolley Ref. 2336+A/B/C-6-Ex

- Body made of brass.

- Towing attachment made of copper.

- Cable holder made of aluminium .

- Ball bearings \varnothing 32mm. made of stainless steel .

- Bolts, nuts and washers made of stainless steel.



Industrias GALARZA, S. A.

Pol. Ind. Bidosola, Pab. D-4 - E48142-Artea - SPAIN

Tel. + 34 - 94 - 447 18 12

Fax + 34 - 94 - 476 42 76

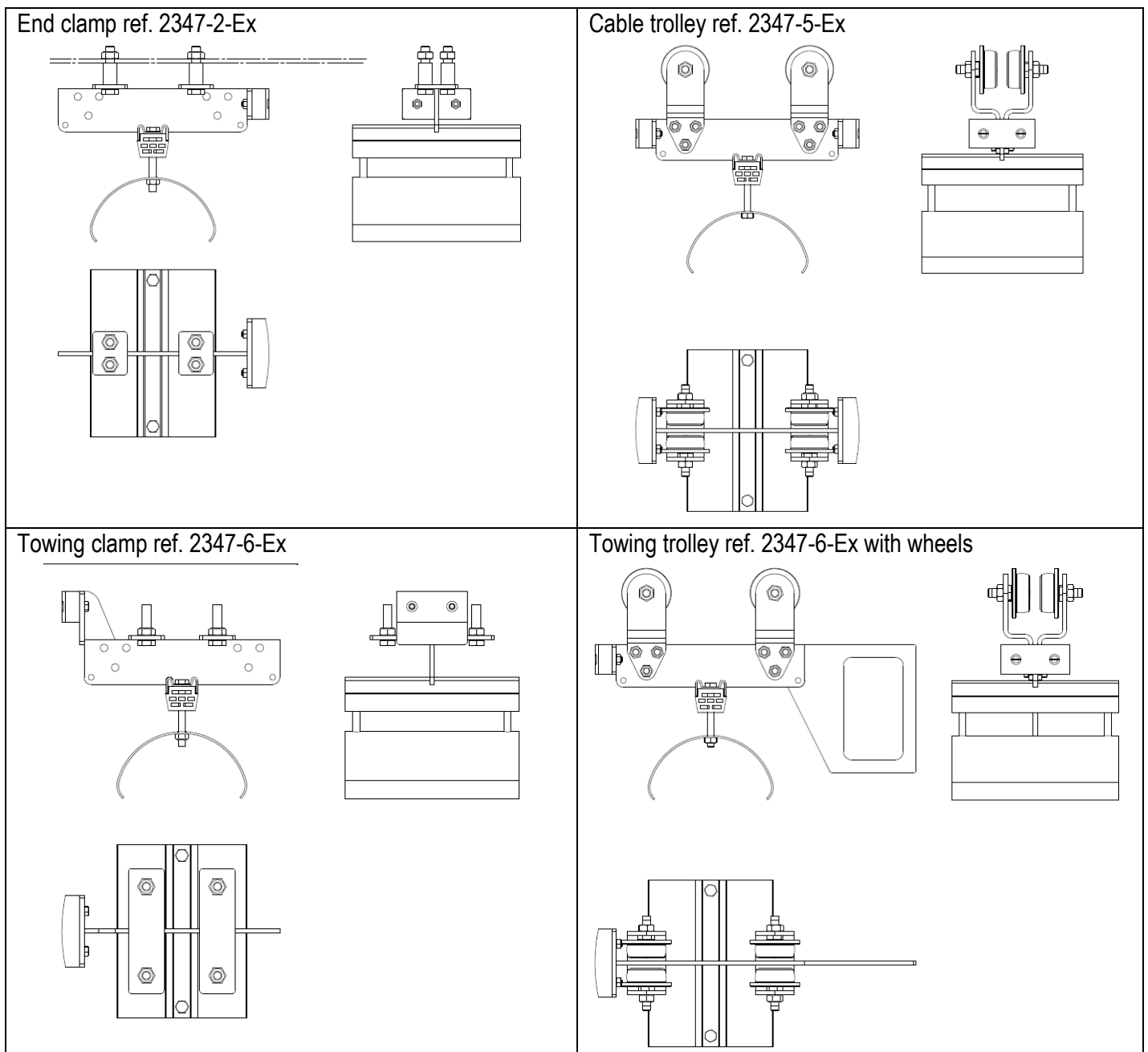
Web : www.industriasgalarza.com

SERIE 2347Ex

Load per trolley : 30Kg.

Available for round and for flatform cables in customized sizes according to the customer's requirements.

Slides on beams type : INP, IEP, . . .





Industrias GALARZA, S. A.

Pol. Ind. Bidosola, Pab. D-4 - E48142-Artea - SPAIN

Tel. + 34 - 94 - 447 18 12

Fax + 34 - 94 - 476 42 76

Web : www.industriasgalarza.com

SCOPE OF DELIVERY.

a) **End clamp Ref. 2347-2-Ex**

- Body made of stainless steel.
- Saddle made of stainless steel .
- Buffer made of rubber.
- Bolts, nuts and washers made of stainless steel.

b) **Cable trolley Ref. 2347-5-Ex**

- Body and wheel supports made of stainless steel.
- Saddle made of stainless steel .
- Wheels with flanges \varnothing 58mm. made of stainless steel .
- Buffers made of rubber.
- Bolts, nuts and washers made of stainless steel.

c) **Towing clamp Ref. 2347-6-Ex**

- Body made of stainless steel.
- Saddle made of stainless steel .
- Buffer made of rubber.
- Bolts, nuts and washers made of stainless steel.

d) **Towing trolley Ref. 2347-6-Ex with wheels**

- Body and wheel supports made of stainless steel.
- Saddle made of stainless steel .
- Wheels with flanges \varnothing 58mm. made of stainless steel .
- Buffers made of rubber.
- Bolts, nuts and washers made of stainless steel.



Industrias GALARZA, S. A.

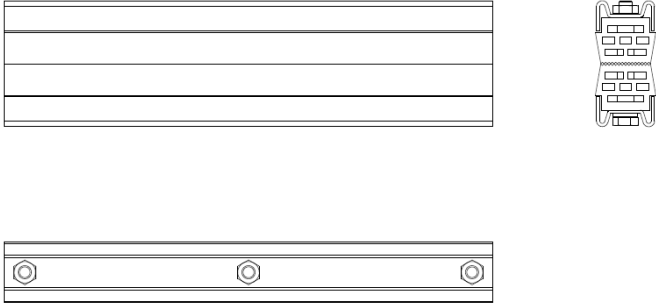
Pol. Ind. Bidosola, Pab. D-4 - E48142-Artea - SPAIN

Tel. + 34 - 94 - 447 18 12

Fax + 34 - 94 - 476 42 76

Web : www.industriasgalarza.com

Common articles

<p>Clamp ref. B Composed of :</p> <ul style="list-style-type: none">- Two preformed stainless steel profiles and two rubber elements which press and group the cables in the loops.- Bolts : stainless steel. Special nuts : brass . 	<p>Earth connection clamp Composed of :</p> <ul style="list-style-type: none">- one clamp which is fixed to the profile/beam- one protective conductor- one clamp which is welded to the steel structure
--	--