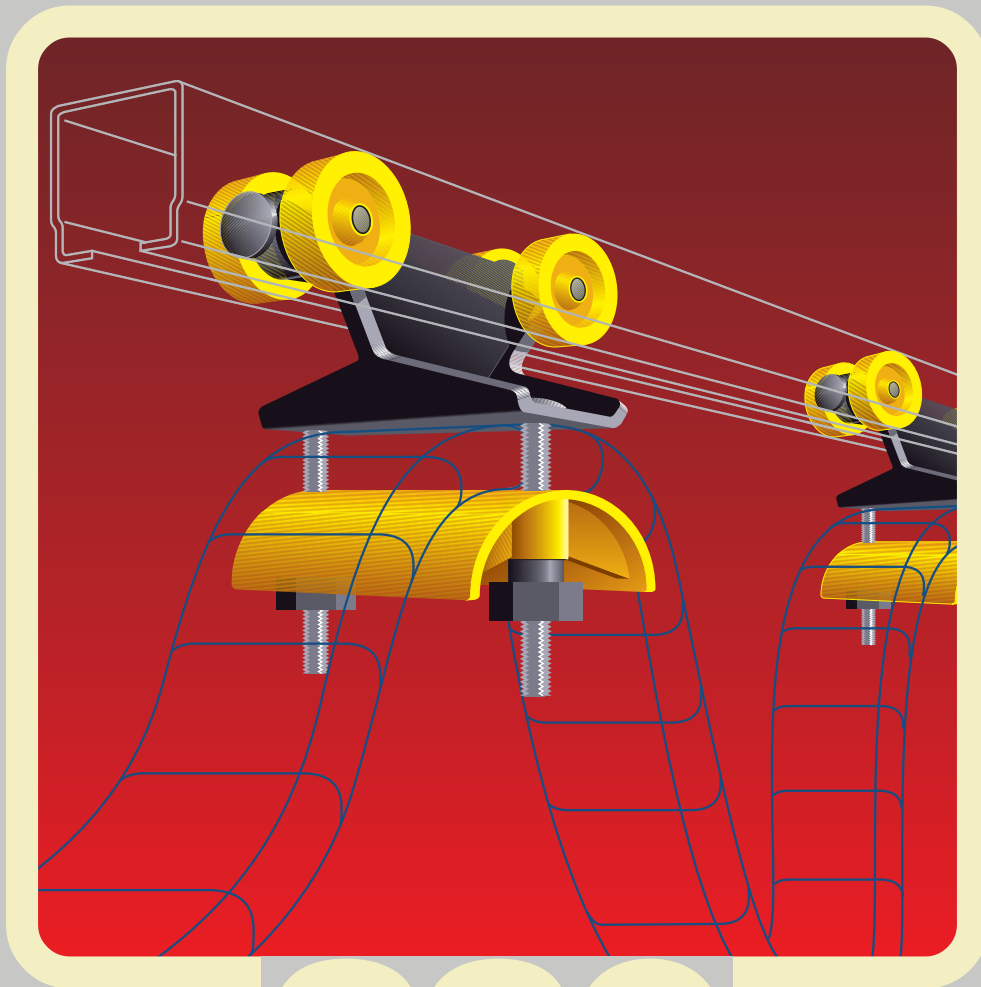


Energy Supply Systems

C-RAIL PROGRAM

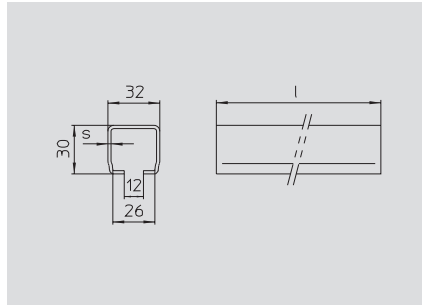
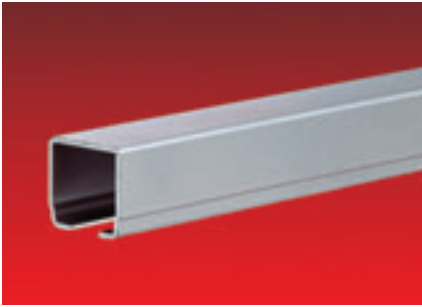


230

wampfler
solutions for a moving world

C-Rails and Accessories

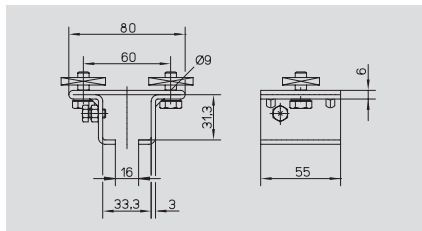
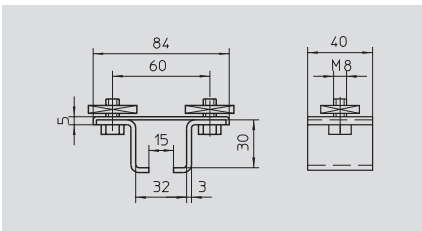
C-Rails



Catalog No.	Length l [mm]	Thickness s [mm]
023200-6M	6000	2
023200-4M	4000	
023201-6M	6000	1.5
023201-4M	4000	

Material: galvanized steel
6,, 12,, 18, available on inquiry

Track Support Bracket



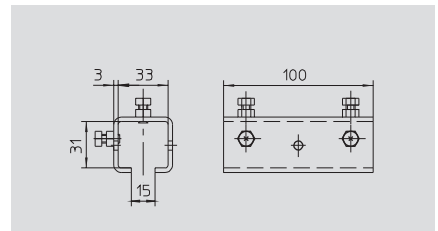
Cat. No.	Type
023220	without screws and square nuts
023222	with screws and square nuts

Material: galvanized steel
Perm. load: 63 kg

Cat. No.	Type
023225	without screws and square nuts
023226	with screws and square nuts

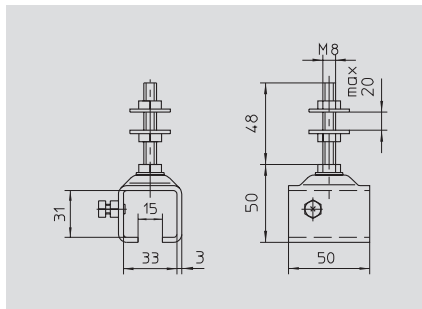
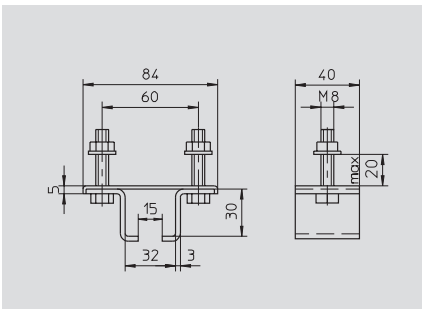
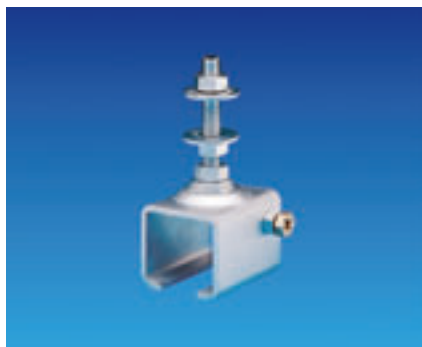
Material: galvanized steel
Perm. load: 160 kg

Track Coupler



Cat. No.	Type
023210	with clamping screws

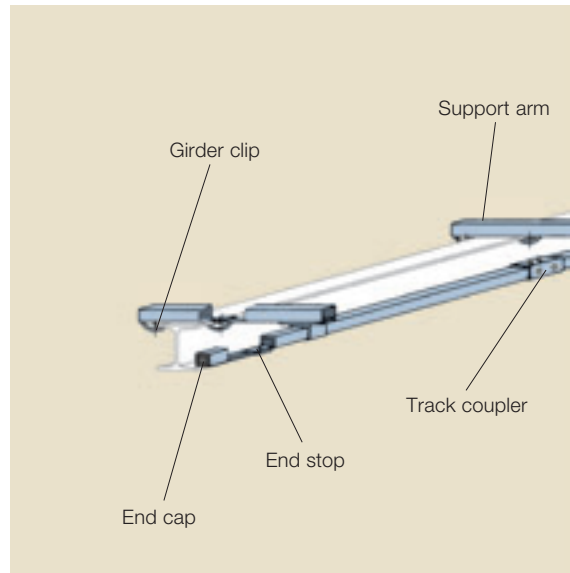
Material: galvanized steel



Catalog No. 023223
Material: galvanized steel
Perm. load: 63 kg

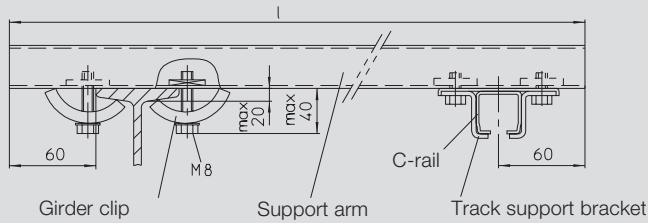
Catalog No. 023231
Material: galvanized steel
Perm. load: 63 kg

Other type track hardware available on inquiry.



C-Rails and Accessories

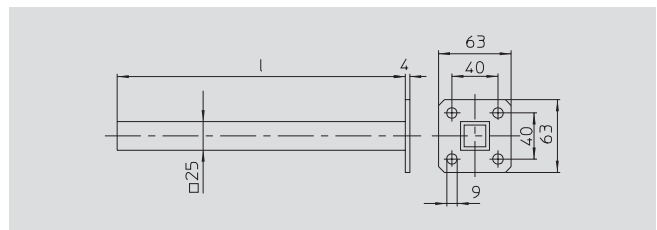
Support Arm and Girder Clip



Description	Catalog No.	I [mm]
Support arm	020275-0500	500
Support arm	020275-1000	1000
Girder clip	020180-08	

Material: galvanized steel
For support arm with holes, see main catalog program 230.

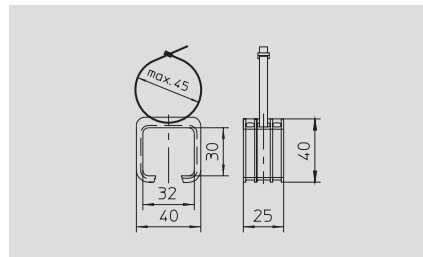
Towing Arm for Towing Trolley



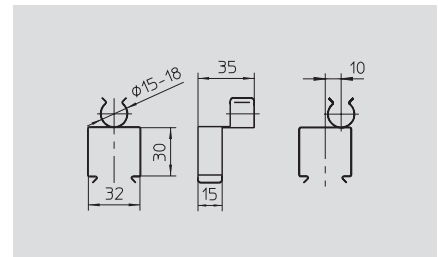
Catalog No.	I [mm]
020195-400	400
020195-630	630

Material: galvanized steel

Clips for Cable Attachment

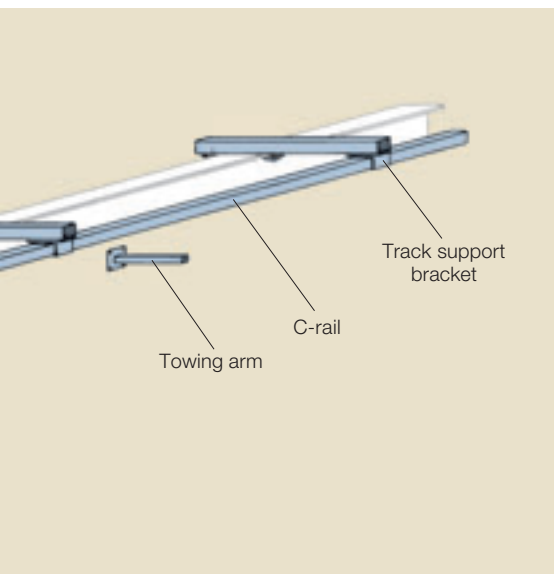


Catalog No. 023790-1
Clip with cable tie for flat and round cables.
Material: plastic

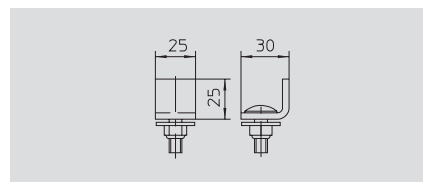
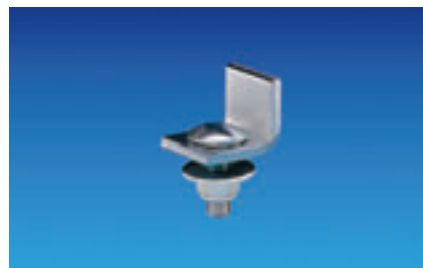


Cat. No. 023795-1
Clip with central attachment for round cables. Material: stainless steel

Cat. No. 023795-2
Clip with lateral attachment for round cables. Material: stainless steel

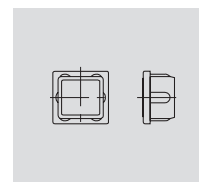


End Stop



Catalog No. 023215
Material: galvanized steel

End Cap

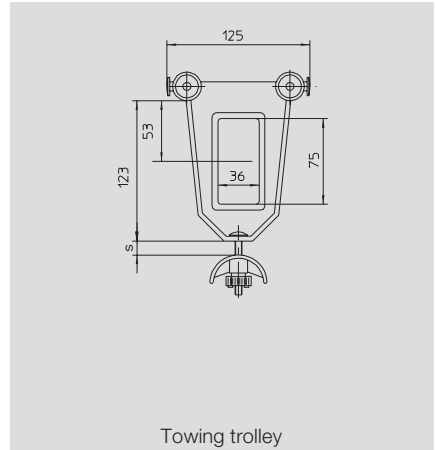
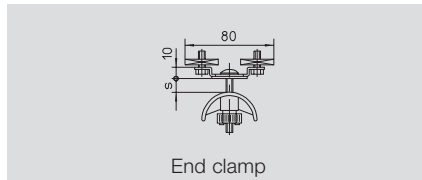
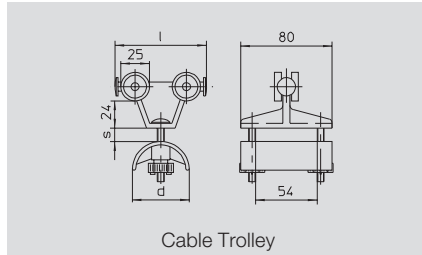


Material: plastic

Catalog No. 020662-30 for C-rails 023200
Catalog No. 020662-31 for C-rails 023201

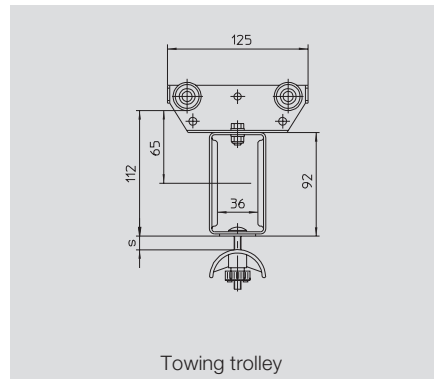
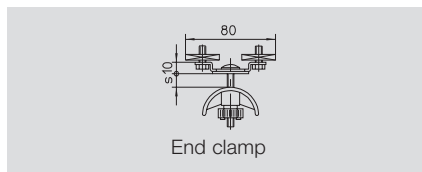
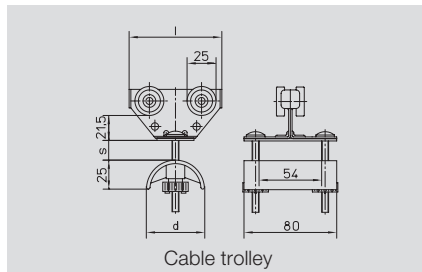
Flat Cable Trolleys

Plastic Cable Trolley and Cable Support



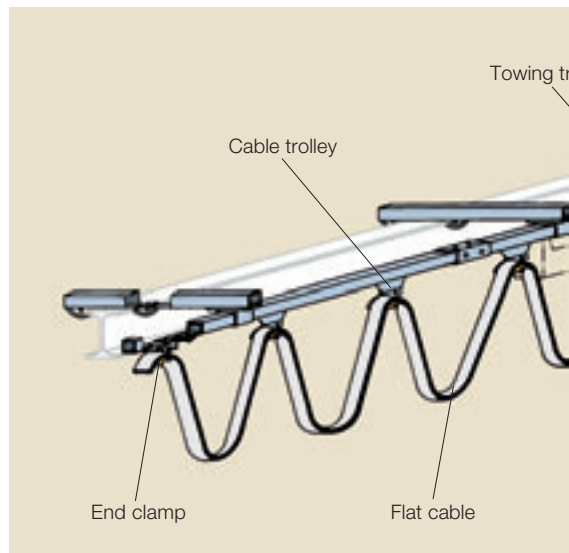
Cable trolley Catalog No.	Towing trolley Catalog No.	End clamp Catalog No.	d [mm]	l [mm]	s [mm]	Type of roller	Load capacity P [kg]
023941	023956	023269	50	80	15	Steel ball bearing galvanized	20
023971	023976	023279	80	125	22		
023940	023956	023269	50	80	15	Steel ball bearing with plastic outer roller	10
023970	023976	023279	80	125	22		
023943	023958	023269	50	80	15	Plastic roller; friction bearing with bronze sleeve	10
023953	023958	023269	50	125	36		
023973	023978	023279	80	125	22		
023910	023915	023919	50	80	15	Plastic roller; friction bearing in the cable trolley upper part	6,3

Steel Cable Trolley - Plastic or Steel Cable Support



Cable trolley Catalog No.	Towing trolley Catalog No.	End clamp Catalog No.	Material Support	d [mm]	l [mm]	s [mm]
023261	023267	023269	Plastic	50	80	15
023271	023277	023279		80	125	22
023561	023567	023569	Steel	50	80	15
023571	023577	023579		80	125	22

Type of roller: ball bearing, galvanized steel
Load capacity: 20 kg



Flat Cable Trolleys

Neoprene Flat Cables (UL Listed / -40°C to +90°C)

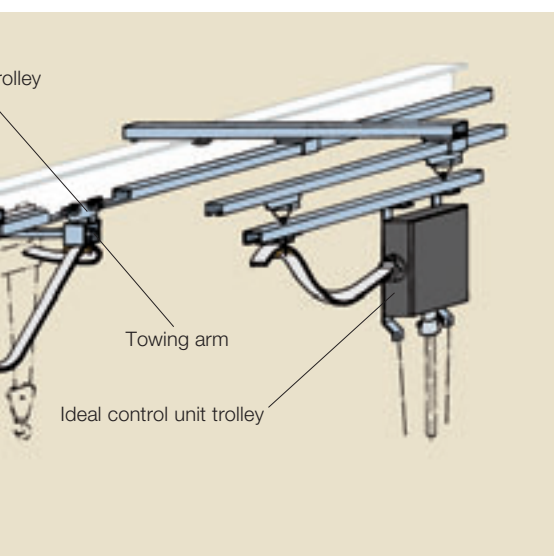
Cable Conductor/AWG	Cable Part Number	Dimensions Thickness x Width [mm]	Minimum Bend Diameter [Inches](mm)	Weight [Lbs./Ft.](kg/m)	Ampacity 40°C Ambient	Connector Gland Metal
12C/#16	132-0-16-12	6.6x45.4	1.70 (43.0)	0.24 (0.36)	18	020611-48
4C/#14	132-0-14-04	7.5x20.1	1.85 (47.0)	0.19 (0.28)	27	020611-21
8C/#14	132-0-14-08	7.5x38.1	1.85 (47.0)	0.39 (0.58)	25	020611-42
12C/#14	132-0-14-12	7.9x54.3	1.95 (50.0)	0.54 (0.80)	24	020611-48
4C/#12	132-0-12-04	8.7x24.8	2.74 (70.0)	0.29 (0.43)	36	020611-29
4C/#10	132-0-10-04	9.1x26.7	2.87 (73.0)	0.35 (0.52)	47	020611-29
4C/#8	132-0-08-04	10.5x31.8	3.31 (84.0)	0.52 (0.77)	69	020611-36
4C/#6	132-0-06-04	12.2x38.8	3.84 (98.0)	0.78 (1.16)	94	020611-42
4C/#4	132-0-04-04	14.3x45.7	5.63 (143.0)	1.05 (1.56)	117	020611-48
4C/#2	132-0-02-04	15.3x52.4	5.98 (152.0)	1.50 (2.23)	157	020611-48

Neoprene Flat Cables with individual shielded conductor available on inquiry.

PVC Flat Cables (UL Listed & CSA Approved / -35°C to +105°C)

Cable Conductor/AWG	Cable Part Number	Dimensions Thickness x Width [mm]	Minimum Bend Diameter [Inches](mm)	Weight [Lbs./Ft.](kg/m)	Ampacity 40°C Ambient	Connector Gland Metal
8C/#16	130-2-16-08	5.1x28.2	1.25 (32.0)	0.18 (0.26)	18	020611-36
12C/#16	130-2-16-12	5.1x40.8	1.25 (32.0)	0.27 (0.40)	18	020611-42
4C/#14	130-2-14-04	5.3x15.9	1.35 (34.0)	0.12 (0.18)	28	020611-21
8C/#14	130-2-14-08	5.3x38.1	1.35 (34.0)	0.22 (0.33)	24	020611-36
12C/#14	130-2-14-12	5.3x43.2	1.35 (34.0)	0.34 (0.51)	24	020611-42
4C/#12	130-2-12-04	5.8x18.0	1.45 (37.0)	0.16 (0.24)	36	020611-21
8C/#12	130-2-12-08	5.8x34.0	1.45 (37.0)	0.32 (0.48)	29	020611-36
4C/#10	130-2-10-04	6.9x22.0	1.70 (43.0)	0.24 (0.36)	48	020611-29
4C/#8	130-2-08-04	9.3x30.2	2.93 (74.0)	0.42 (0.63)	70	020611-36
4C/#6	130-2-06-04	10.9x36.8	3.45 (87.0)	0.60 (0.89)	99	020611-42
4C/#4	130-2-04-04	12.5x42.9	3.94 (100.0)	0.75 (1.12)	139	020611-42
4C/#2	130-2-02-04	14.2x50.0	5.60 (142.0)	1.27 (1.89)	168	020611-48

PVC Flat Cables with individual shielded conductor available on inquiry.



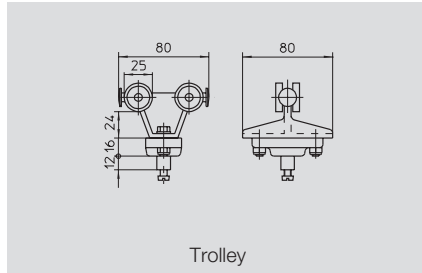
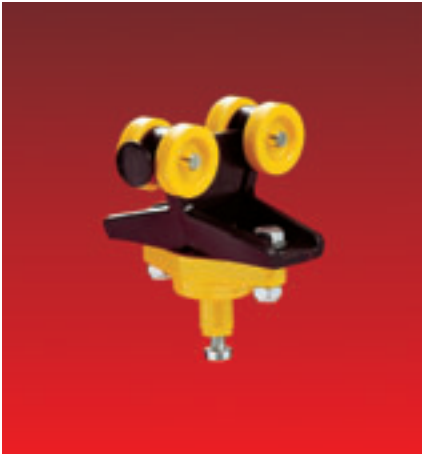
Flat Cable Connector

Size	Connector Part No.	Cable Thickness [mm]		Cable Width [mm]	
		Min.	Max.	Min.	Max.
Pg16	020611-16	4.0	5.5	13	15
Pg21	020611-21	4.5	7.5	14	20.5
Pg29	020611-29	4.5	9.5	19	30
Pg36	020611-36	4.5	13.5	29	39
Pg42	020611-42	4.5	14.5	38	45
Pg48	020611-48	5.6	19.5	44	52

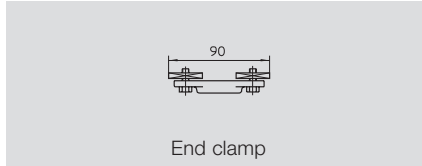
Material:
 Case: Nickel Plated Brass; Seal: Oil Resistant Rubber;
 Thrust Washer: Galvanized Steel.
 Impact Resistant Plastic Available on Inquiry.

Round Cable Trolleys

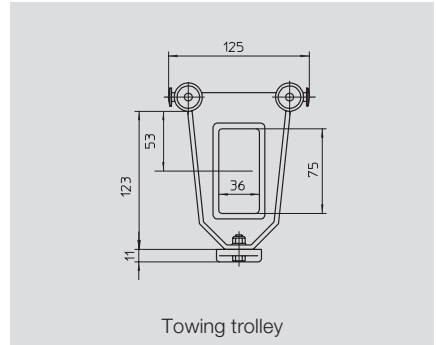
Steel or Plastic Trolley with Ball Joint



Trolley



End clamp



Towing trolley

Plastic trolley upper part. Dimensions for steel trolley upper parts see cable trolleys with U bolt.

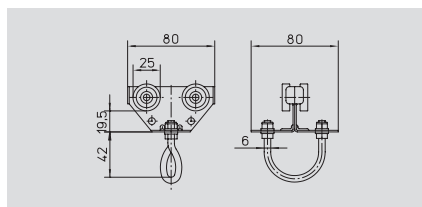


Cable clip Catalog No.	Cable diameter [mm]
020131-16	10 - 16
020131-25	17 - 25
020131-36	26 - 36

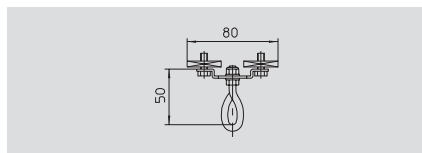
Alternatively it is possible to fit two or more similar or different cable clips to the trolleys. When fitting different cable clips, the largest cable clips has to be fitted on top.

Trolley Catalog No.	Type	Towing trolley Catalog No.	End clamp Catalog No.	Type of roller	Load capacity P [kg]
023291	Steel	023297	023299	Ball bearing, galvanized	20
023991	Plastic	023996		Ball bearing with plastic outer ring	10
023990		023996		plastic roller; friction bearing with bronze sleeve	
023993		023998		plastic roller; friction bearing in the cable trolley upper part	6.3
023930		023935			

Steel Cable Trolley with U Bolt



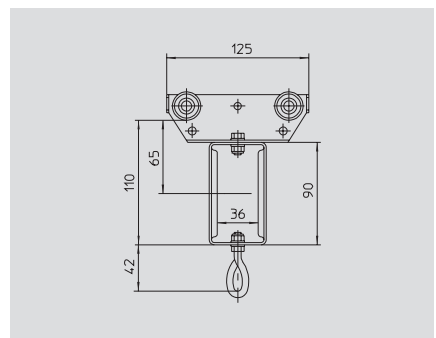
Cable trolley Catalog No.: 023293
Rollers: ball bearing, galvanized steel
Load capacity: 20 kg



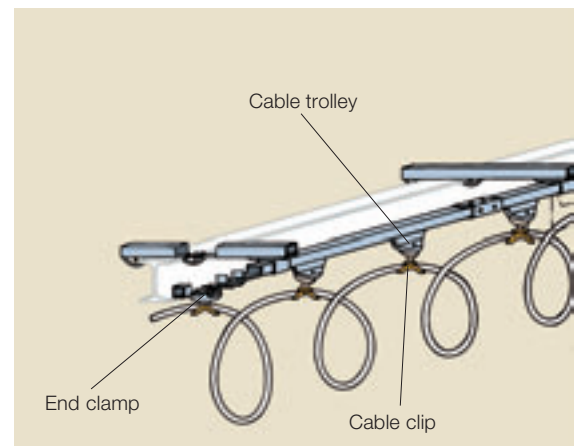
End clamp Catalog No.: 023298

Cable clip Catalog No.	Cable diameter [mm]
20133-16	10 - 16
20133-25	17 - 25
20133-36	26 - 36

The cable clips 020131 fit below the cable clips with bracket 020133.



Towing trolley Catalog No.: 023295

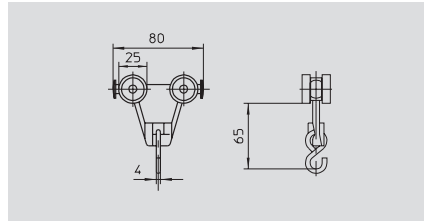
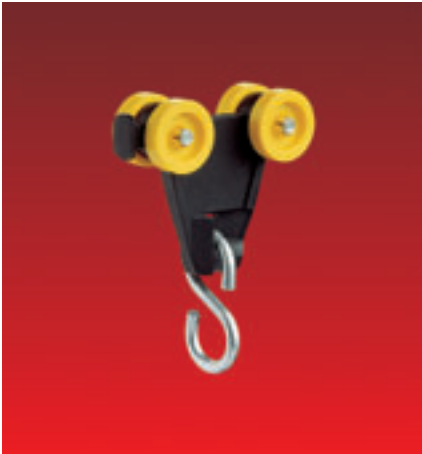


End clamp

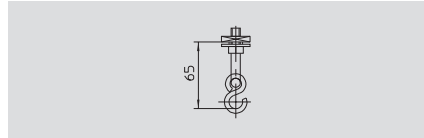
Cable clip

Round Cable Trolleys

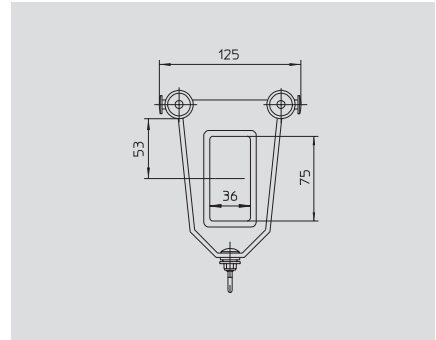
Plastic Trolley with Hook



Trolley Catalog No.: 023900



End clamp Catalog No.: 020219



Towing trolley Catalog No.: 023905

Type of roller: plastic roller; friction bearing in the trolley upper part
Load capacity: 6.3 kg



Catalog No. 020117-080
Thong max. diameter 80 mm preferably for hoses



Plastic cable collar

Cable collar Catalog No.	Cable diameter [mm]
020111-10	10
020111-11	11
020111-12.5	12.5
020111-14	14
020111-16	16
020111-18	18
020111-20	20
020111-22	22
020111-25	25
020111-28	28
020111-32	32
020111-36	36

Transparent PVC Tubing

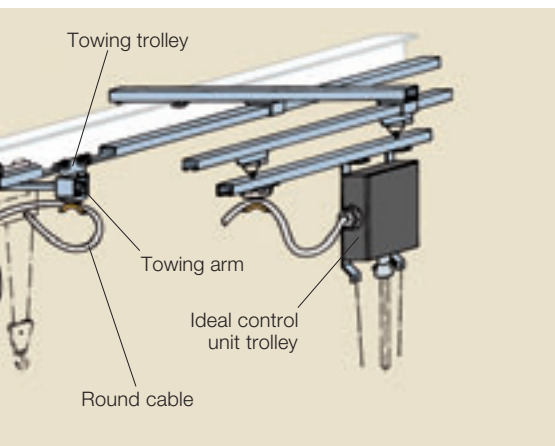
Catalog No.	I.D. [Inch.]	O.D. [Inch.]	Working Pressure
040421-1	1/4	1/2	300
040421-2	3/8	5/8	225
040421-3	1/2	13/16	200

Material: clear PVC with textile braid; oil and gasoline resistant.

Round Cables SO Type

Cable Conductor AWG	Cable Part Number	Outer Diameter [mm]	Weight [Lbs./Ft.](kg/m)	Ampacity 30°C Ambient	Connector Gland Metal
4C/#16	135-1-16-04	10.0	0.144 (0.214)	8	020631-13.5
4C/#14	135-1-14-04	14.8	0.224 (0.333)	12	020631-21
4C/#12	135-1-12-04	17.0	0.282 (0.419)	16	020631-21
4C/#10	135-1-10-04	18.5	0.317 (0.552)	20	020631-21
8C/#16	135-1-16-08	16.4	0.222 (0.330)	7	020631-21
8C/#14	135-1-14-08	19.6	0.373 (0.555)	10.5	020631-21
8C/#12	135-1-12-08	23.4	0.475 (0.706)	14	020631-29
12C/#16	135-1-16-12	18.8	0.305 (0.453)	7	020631-21
12C/#14	135-1-14-12	23.0	0.481 (0.715)	10.5	020631-29

Other round cable sizes available on inquiry



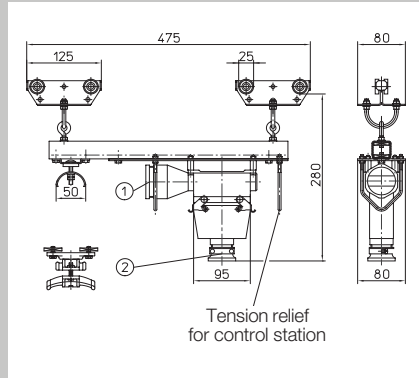
Cable Glands and Accessories

Size	Connector Part Number	Cable Range [mm]
Pg 13.5	020631-13.5	6 - 13.5
Pg 16	020631-16	6 - 15
Pg 21	020631-21	9 - 20
Pg 29	020631-29	17 - 27

Material:
Case: Nickel Plated Brass; Seal: Oil Resistant Rubber;
Thrust Washer: Galvanized Steel.
Impact Resistant Plastic Available on Inquiry.

Pendant Suspension Trolley

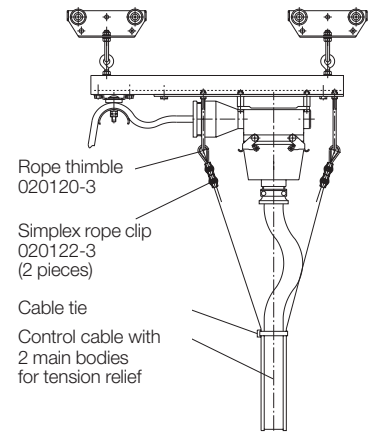
Pendant Suspension Trolley with Plug and Socket Connections



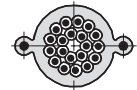
Nom. voltage 400 V; Nom. current 16 A; Protection type IP 55;
Term. connection 16 AWG

Catalog No.	Type cable	Number of terminals	Cable connector		Perm. load [kg]
			①	②	
023178-16	Flat cable	16 + G	M50x1.5	M25x1,5	32
023178-24		24 + G		M32x1,5	
023179-16	Round cable	16 + G	M32x1.5	M25x1,5	
023179-24		24 + G		M32x1,5	

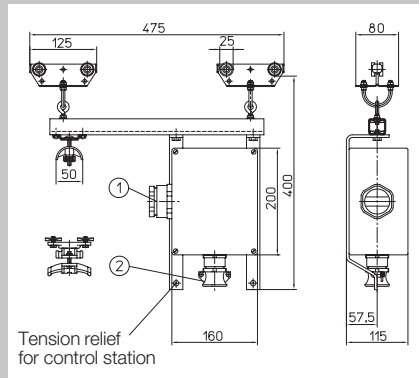
Accessories



PVC Pendant control cable with two strain relief wires:



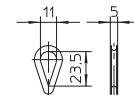
Pendant Suspension Trolley with Terminal Box



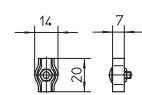
Nom. voltage 400 V; Nom. current 16 A; Protection type IP 54;
Term. connection 12 AWG

Catalog No.	Type cable	Number of terminals	Cable connector		Perm. load [kg]
			①	②	
023174-16	Flat cable	16 + G	M50x1.5	M25x1,5	32
023174-24		24 + G		M32x1,5	
023175-16	Round cable	16 + G	M32x1.5	M25x1,5	
023175-24		24 + G		M32x1,5	

Catalog No.	No. of conduct.	Wire size
0609-12x1.5	12	16 AWG 1.5 mm ²
0609-16x1.5	16	
0609-20x1.5	20	
0609-24x1.5	24	



Rope thimble
Cat. No. 020120-3
galvanized steel



Simplex Rope clip
Cat. No. 020122-3
galvanized steel

We also offer an extensive standard program in our main 230 program catalog.

wampfler
solutions for a moving world